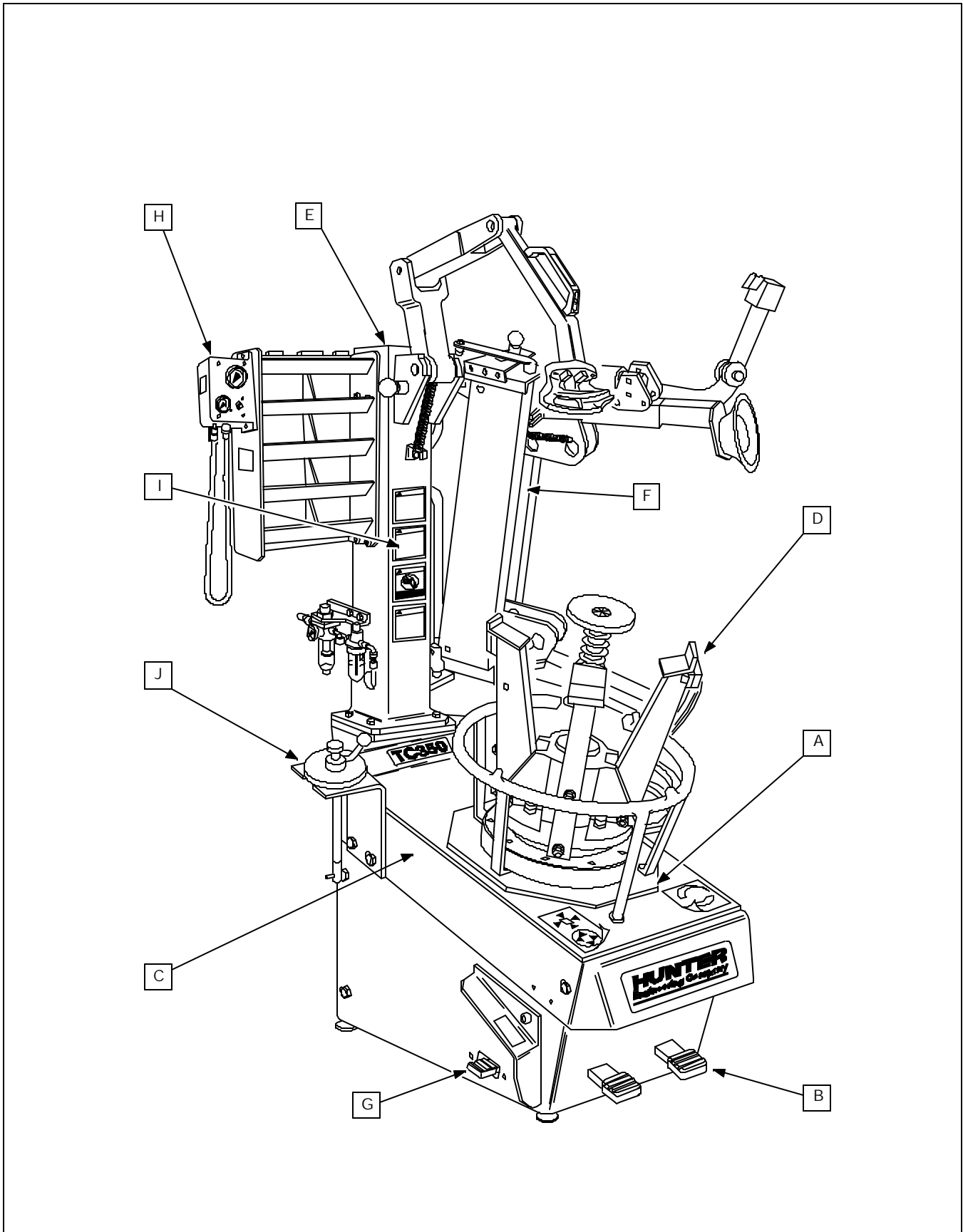


**TC350 Tire Changer**



## TC350 TIRE CHANGER

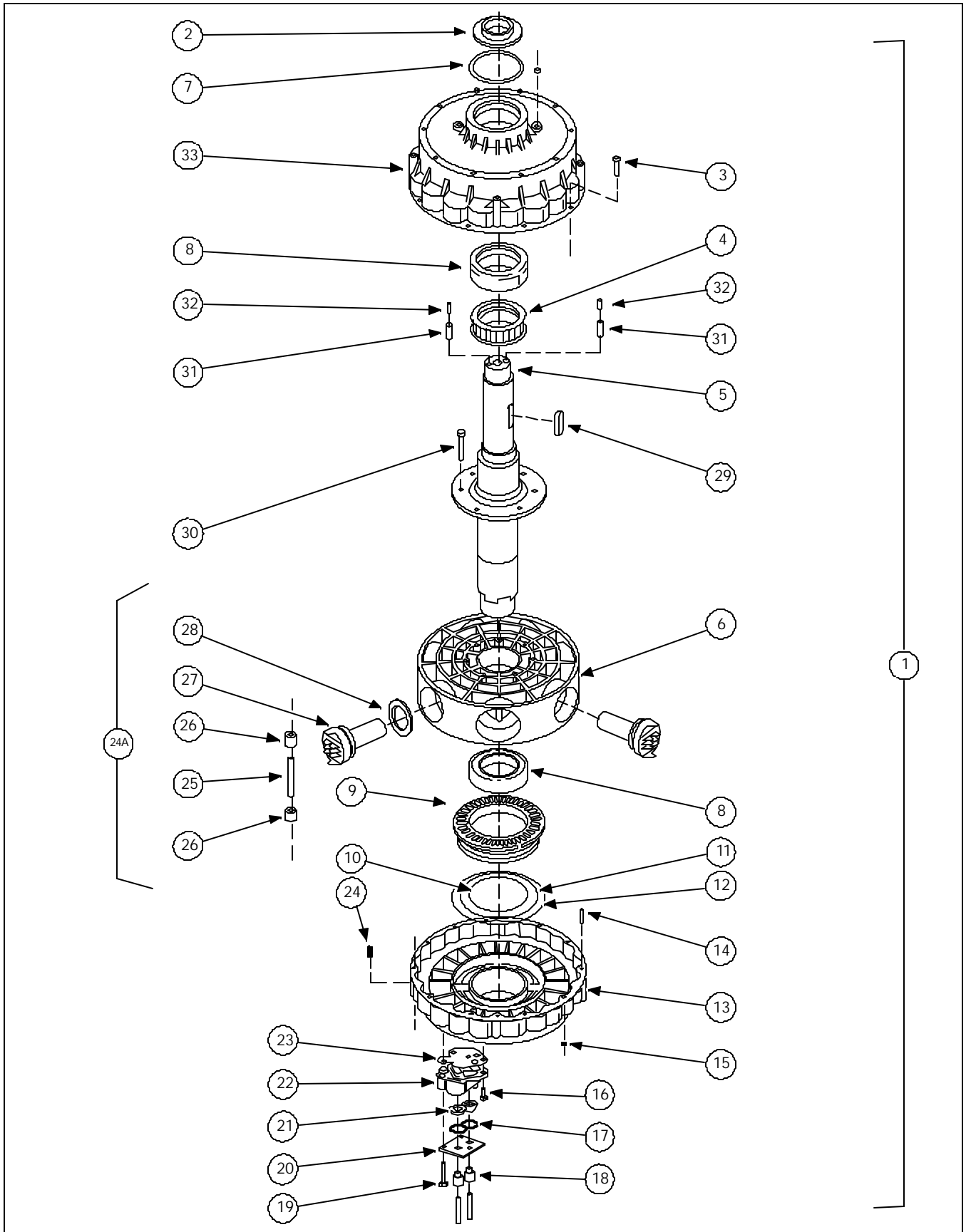
REFER TO NEXT SHEET FOR PARTS DESCRIPTION LISTING

**PARTS DESCRIPTION LISTING**

| INDEX NO. | DESCRIPTION  |
|-----------|--|
|           | <b>TC350 TIRE CHANGER</b>                                      |
| A         | MOTOR (Sheet 3) .....  |
| B         | PEDAL BOX ASSEMBLY (Sheet 4) .....                             |
| C         | HOUSING (Sheet 5) .....  |
| D         | SELF CENTERING "TULIP" CLAMPING SYSTEM (Sheet 6) .....         |
| E         | COLUMN ASSEMBLY (Sheet 7) .....                                |
| F         | BEAD ROLLER ASSEMBLY (Sheet 8) .....                           |
| G         | INFLATION CIRCUIT ASSEMBLY (Sheet 10) .....                    |
| H         | INFLATOR BOX ASSEMBLY (Sheet 12 & 13) .....                    |
| I         | DECAL PLACEMENT (Sheet 14) .....                               |
| J         | RP6-1485 . . . . WHEEL SECURING DEVICE (Sheet 11) . . . . .    |
|           | RP6-1572 . . . . BEAD DEPRESSOR "TAIL" (Not Illustrated) ..... |

nnn - Paint Code Required  
 A/R - As Required  
 REF - Referenced to a previous page





### TC350 TIRE CHANGER

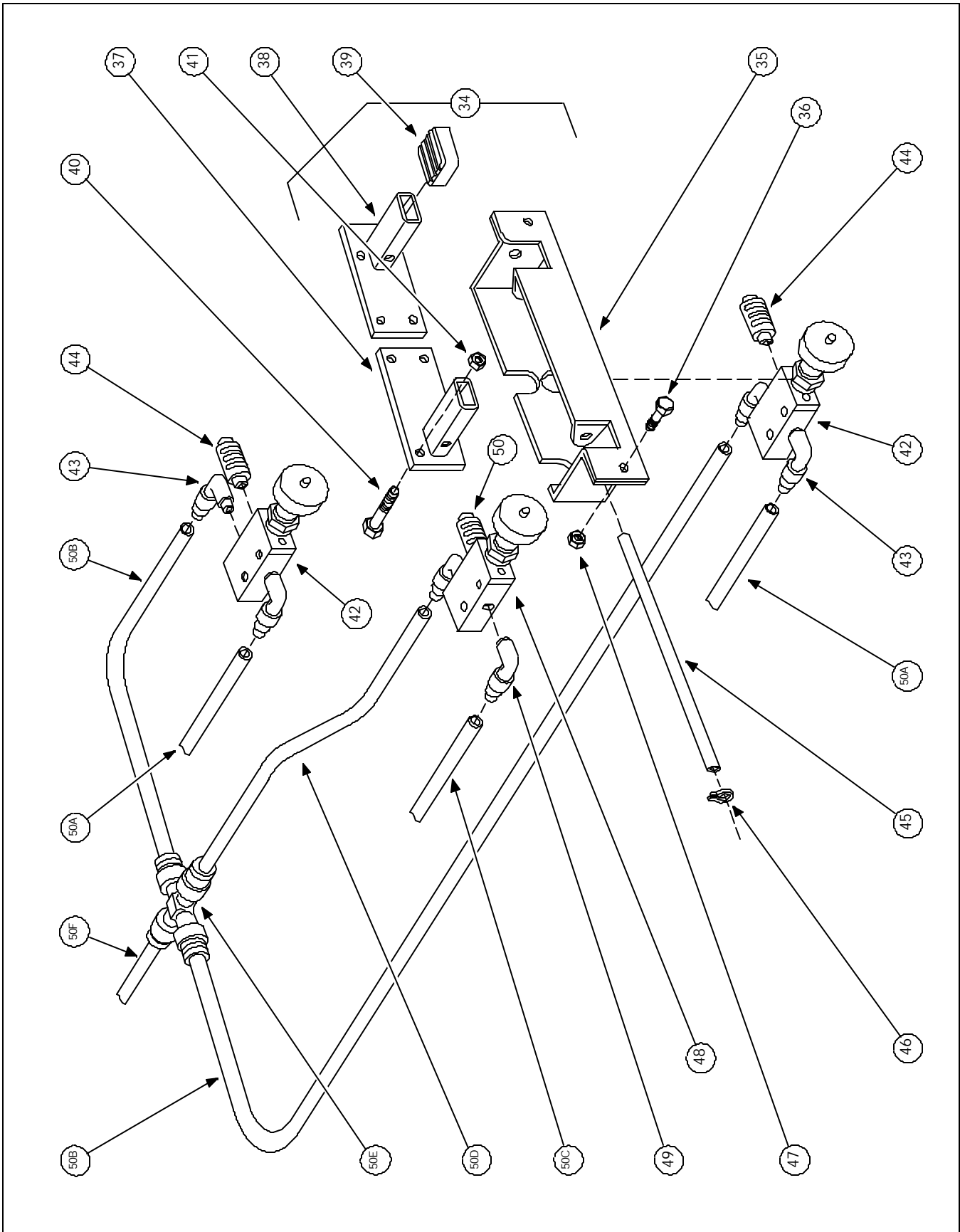
REFER TO NEXT SHEET FOR PARTS DESCRIPTION LISTING

**PARTS DESCRIPTION LISTING**

| INDEX NO. | DESCRIPTION   |
|-----------|---|
| 1         | RP6-1449 . . . . MOTOR COMPLETE (NEW) . . . . .                 |
| 2         | .. RP6-1986 . . . . SEATING RING . . . . .                      |
| 3         | .. RP6-0280 . . . . BOLT TCEI M6 x 20 . . . . .                 |
| 4*        | .. RP6-0286 . . . . FILTER . . . . .                            |
| 5*        | .. RP6-0039 . . . . MOTOR SHAFT C . . . . .                     |
| 6*        | .. RP6-0311 . . . . ROTOR C . . . . .                           |
| 7         | .. RP6-1987 . . . . O-RING 64.77 x 2.62 . . . . .               |
| 8*        | .. RP6-0198 . . . . BALL BEARING 65 x 100 x 18 . . . . .        |
| 9*        | .. RP6-0612 . . . . AIR DISTRIBUTOR . . . . .                   |
| 10*       | .. RP6-0605 . . . . O-RING 110.7 x 3.53 245 . . . . .           |
| 11*       | .. RP6-0607 . . . . O-RING 126.6 x 3.53 250 . . . . .           |
| 12*       | .. RP6-0608 . . . . O-RING 145.6 x 3.53 256 . . . . .           |
| 13*       | .. RP6-2105 . . . . LOWER MOTOR CASE ASSEMBLY . . . . .         |
| 14*       | .. RP6-0279 . . . . SETTING PIN D. 4 x 29.8 . . . . .           |
| 15*       | .. RP6-1225 . . . . TRIBLOCK NUT M6 . . . . .                   |
| 16        | .. RP6-0280 . . . . BOLT TCEI M6 x 20 . . . . .                 |
| 17        | RP6-0819 . . . . O-RING 2100 . . . . .                          |
| 18        | RP6-0201 . . . . CONNECTOR 8-1/4 . . . . .                      |
| 19        | RP6-0764 . . . . BOLT TCEI M6 x 45 . . . . .                    |
| 20        | RP6-0717 . . . . COVER FOR BODY VSC . . . . .                   |
| 21        | RP6-0718 . . . . MEMBRANE FOR VSC . . . . .                     |
| 22        | RP6-0716 . . . . BODY FOR VSC 1030 . . . . .                    |
| 23        | RP6-0836 . . . . SEAL VSC . . . . .                             |
| 24*       | .. RP6-0042 . . . . SPRING HL 10 x 25 . . . . .                 |
| 24A*      | .. RP6-0038 . . . . COMPLETE PISTON ASSEMBLY . . . . .          |
| 25*       | .. RP6-0219 . . . . PIN 10 x 60 . . . . .                       |
| 26*       | .. RP6-0045 . . . . ROLLER . . . . .                            |
| 27*       | .. RP6-0619 . . . . PISTON WITH TAP . . . . .                   |
| 28*       | .. RP6-0609 . . . . GASKET DE300 . . . . .                      |
| 29*       | .. RP6-0221 . . . . KEY A16 x 10 x 50 . . . . .                 |
| 30*       | .. RP6-0340 . . . . BOLT TE M8 x 55 . . . . .                   |
| 31        | .. RP6-0284 . . . . ELASTIC DOWEL PIN 6 x 20 . . . . .          |
| 32        | .. RP6-0615 . . . . ELASTIC DOWEL PIN 3.5 x 20 . . . . .        |
| 33*       | .. RP6-0614 . . . . UPPER MOTOR CASE . . . . .                  |
| +         | RP6-1448002 TC350 TO TC3500 EVO CLAMPING SYSTEM & MOTOR UPGRADE |
| *         | <b>NOTE:</b> NOT FIELD REPLACEABLE                              |

nnn - Paint Code Required  
 A/R - As Required  
 REF - Referenced to a previous page





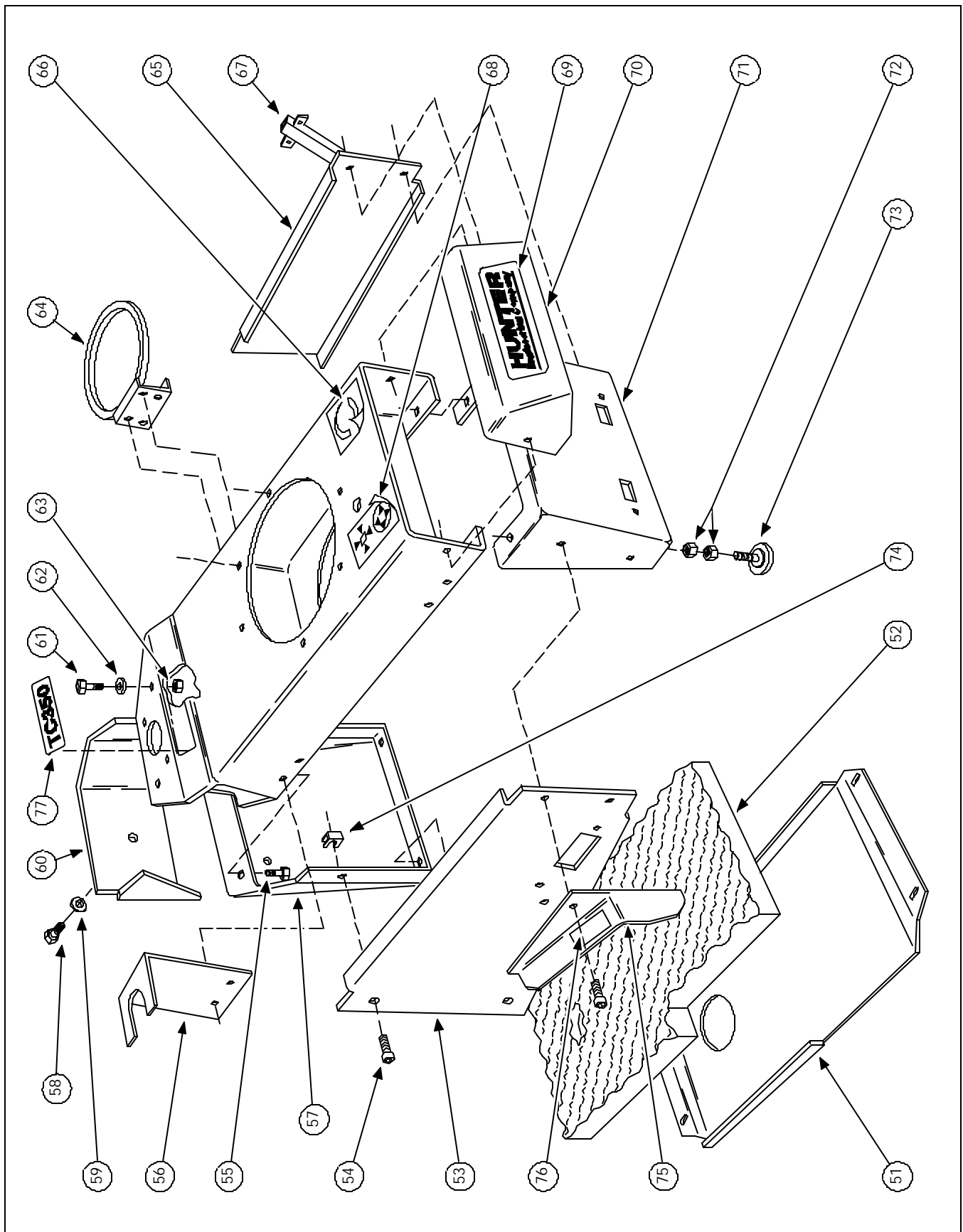
**TC350 TIRE CHANGER**

REFER TO NEXT SHEET FOR PARTS DESCRIPTION LISTING

**PARTS DESCRIPTION LISTING**

| INDEX NO. | DESCRIPTION  |
|-----------|--|
| 34        | RP6-2983 . . . . PEDAL BOX COMPLETE . . . . .          |
| 35        | .. RP6-0018 . . . . PEDAL FRAME COMPLETE . . . . .     |
| 36        | .. RP6-0248 . . . . BOLT TE M8 x 20 . . . . .          |
| 37        | .. RP6-1274 . . . . LEFT SIDE PEDAL . . . . .          |
| 38        | .. RP6-1273 . . . . RIGHT SIDE PEDAL . . . . .         |
| 39        | .. RP6-0173 . . . . PEDAL PROTECTOR . . . . .          |
| 40        | .. RP6-0269 . . . . BOLT TE M6 X 20 . . . . .          |
| 41        | .. RP6-0281 . . . . LOW NUT M6 . . . . .               |
| 42        | .. RP6-2986 . . . . VALVE MOTOR 3/2 COMPLETE . . . . . |
| 43        | .. RP6-0204 . . . . CONNECTION 8-1/8 . . . . .         |
| 44        | .. RP6-0403 . . . . MUFFLER . . . . .                  |
| 45        | .. RP6-0232 . . . . PEDALS SHAFT . . . . .             |
| 46        | .. RP6-0552 . . . . EXTERNAL CIRCLIP D. 7 . . . . .    |
| 47        | .. RP6-2000 . . . . SELF LOCKING NUT M8 . . . . .      |
| 48        | .. RP6-2988 . . . . VALVE BRAKE COMPLETE . . . . .     |
| 49        | .. RP6-0049 . . . . CONNECTION 6-1/8 . . . . .         |
| 50        | .. RP6-0403 . . . . MUFFLER . . . . .                  |
| 50A       | RP6-0260 . . . . RILSAN AIR LINE 6 x 6 L=350 . . . . . |
| 50B       | RP6-0274 . . . . RILSAN AIR LINE 8 x 6 L=200 . . . . . |
| 50C       | RP6-0273 . . . . RILSAN AIR LINE 6 x 4 L=700 . . . . . |
| 50D       | RP6-0138 . . . . RILSAN AIR LINE 8 x 6 L=160 . . . . . |
| 50E       | RP6-0203 . . . . 4-WAY CONNECTOR D. 8 . . . . .        |
| 50F       | RP6-1569 . . . . RILSAN AIR LINE 8 x 6 L=800 . . . . . |

nnn - Paint Code Required  
 A/R - As Required  
 REF - Referenced to a previous page



**TC350 TIRE CHANGER**

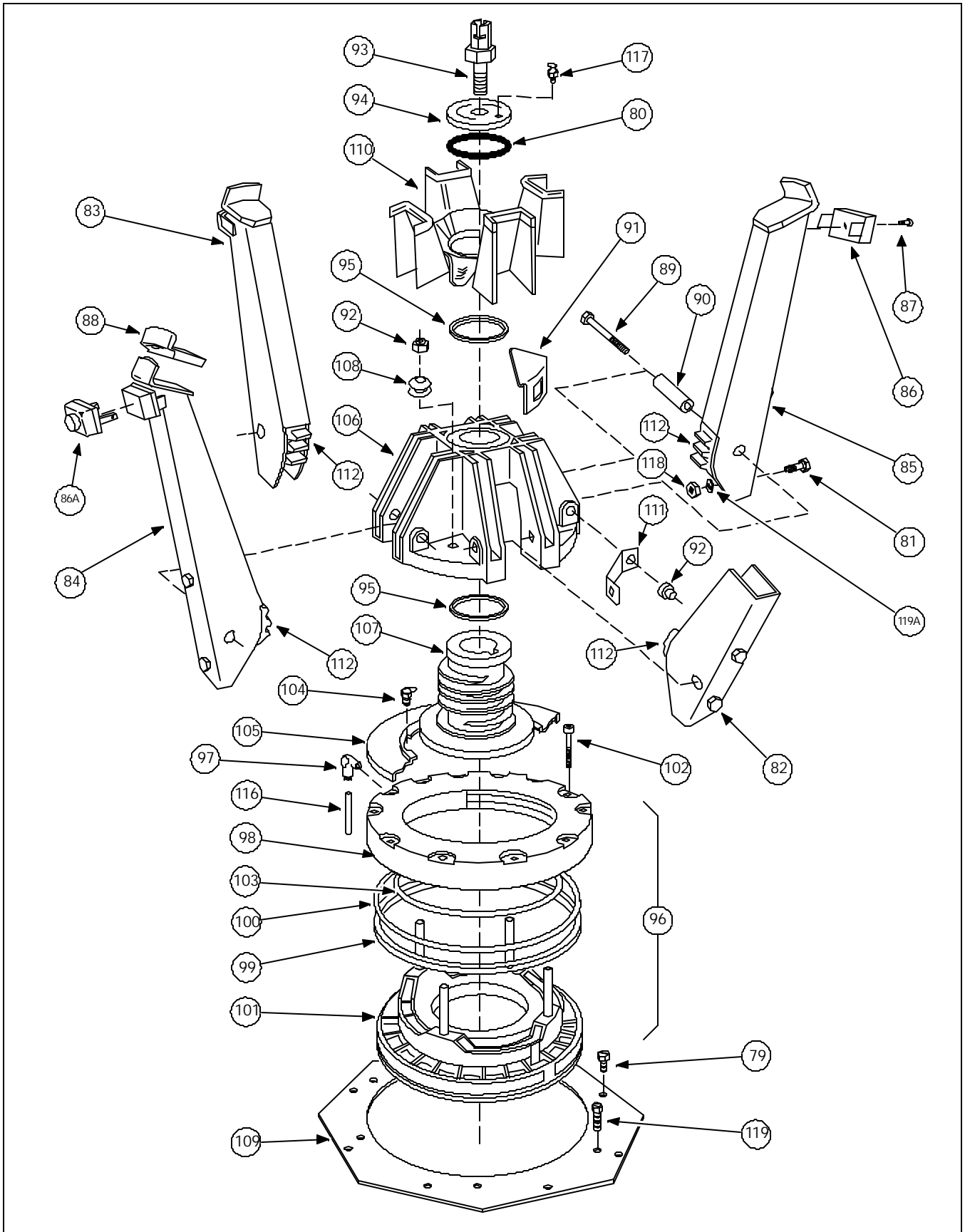
REFER TO NEXT SHEET FOR PARTS DESCRIPTION LISTING



**PARTS DESCRIPTION LISTING**

| INDEX NO. | DESCRIPTION  |
|-----------|--|
| 51        | RP6-1772 . . . . BOTTOM TRAY . . . . .   |
| 52        | RP6-1803 . . . . FOAM RUBBER . . . . .   |
| 53        | RP6-0441 . . . . LEFT SIDE COVER . . . . .   |
| 54        | RP6-0250 . . . . BOLT TE M6 x 16 . . . . .   |
| 55        | RP6-0248 . . . . BOLT TE M8 x 20 . . . . .   |
| 56        | RP6-1347 . . . . MOUNTING BRACKET FOR HOLD DOWN ACCESSORY . . . . .                            |
| 57        | RP6-0021 . . . . REAR BASE COVER . . . . .   |
| 58        | RP6-0248 . . . . BOLT TE M8 x 20 . . . . .   |
| 59        | RP6-0249 . . . . ZINC WASHER D. 8.4 . . . . .  |
| 60        | RP6-0026 . . . . REAR SIDE COVER . . . . .   |
| 61        | RP6-1811 . . . . BOLT TE M10 x 35 . . . . .  |
| 62        | RP6-0247 . . . . ZINC WASHER D. 10.4 . . . . .   |
| 63        | RP6-1812 . . . . SELF LOCKING NUT M10 . . . . .  |
| 64        | RP6-0223 . . . . RING FOR LUBE BUCKET . . . . .  |
|           | RP6-5749995 . MOUNTING PASTE (Not Illustrated) . . . . .                                       |
|           | RP6-1506 . . . . BRUSH (Not Illustrated) . . . . .   |
|           | .. RP6-0561 . . . . SQUARE LUBE BRACKET (Option) (Not Illustrated) . . . . .                   |
|           | .. 166-35-2 . . . . BOTTLE LUBE (Option) (Not Illustrated) . . . . .                           |
|           | .. 221-570-2 . . . . TOOL LUBE SWAB (Option) (Not Illustrated) . . . . .                       |
| 65        | RP6-0024 . . . . RIGHT SIDE COVER . . . . .  |
| 66        | 128-503-2 . . . . DECAL, ROTATION DIRECTION . . . . .  |
| 67        | RP6-1349 . . . . LEVER FUNNEL . . . . .  |
| 68        | 128-502-2 . . . . DECAL, CLAMPING DIRECTION . . . . .  |
| 69        | 128-279-2 . . . . DECAL, HUNTER ENGINEERING COMPANY . . . . .                                  |
| 70        | RP6-0030 . . . . FRONT COVER . . . . .   |
| 71        | RP6-0011 . . . . FRONT BASE COVER . . . . .  |
| 72        | RP6-0266 . . . . MEDIUM ZINC, NUT M12 . . . . .  |
| 73        | RP6-0013 . . . . RUBBER FOOT . . . . .   |
| 74        | RP6-0012 . . . . CAPTIVE NUT M6 . . . . .  |
| 75        | RP6-2173 . . . . PEDAL PROTECTOR . . . . .   |
| 76        | 128-286-2 . . . . DECAL, WARNING, ACTIVATE AIR INFLATION RING ONLY WHEN SEATING BEAD . . . . . |
| 77        | 128-477-2 . . . . DECAL TC350 . . . . .  |
|           | RP6-0322 . . . . BEAD LEVER TOOL (Not Illustrated) . . . . .                                   |
|           | RP6-0326 . . . . BEAD LEVER PROTECTOR SLEEVE (Not Illustrated) . . . . .                       |

nnn - Paint Code Required  
 A/R - As Required  
 REF - Referenced to a previous page



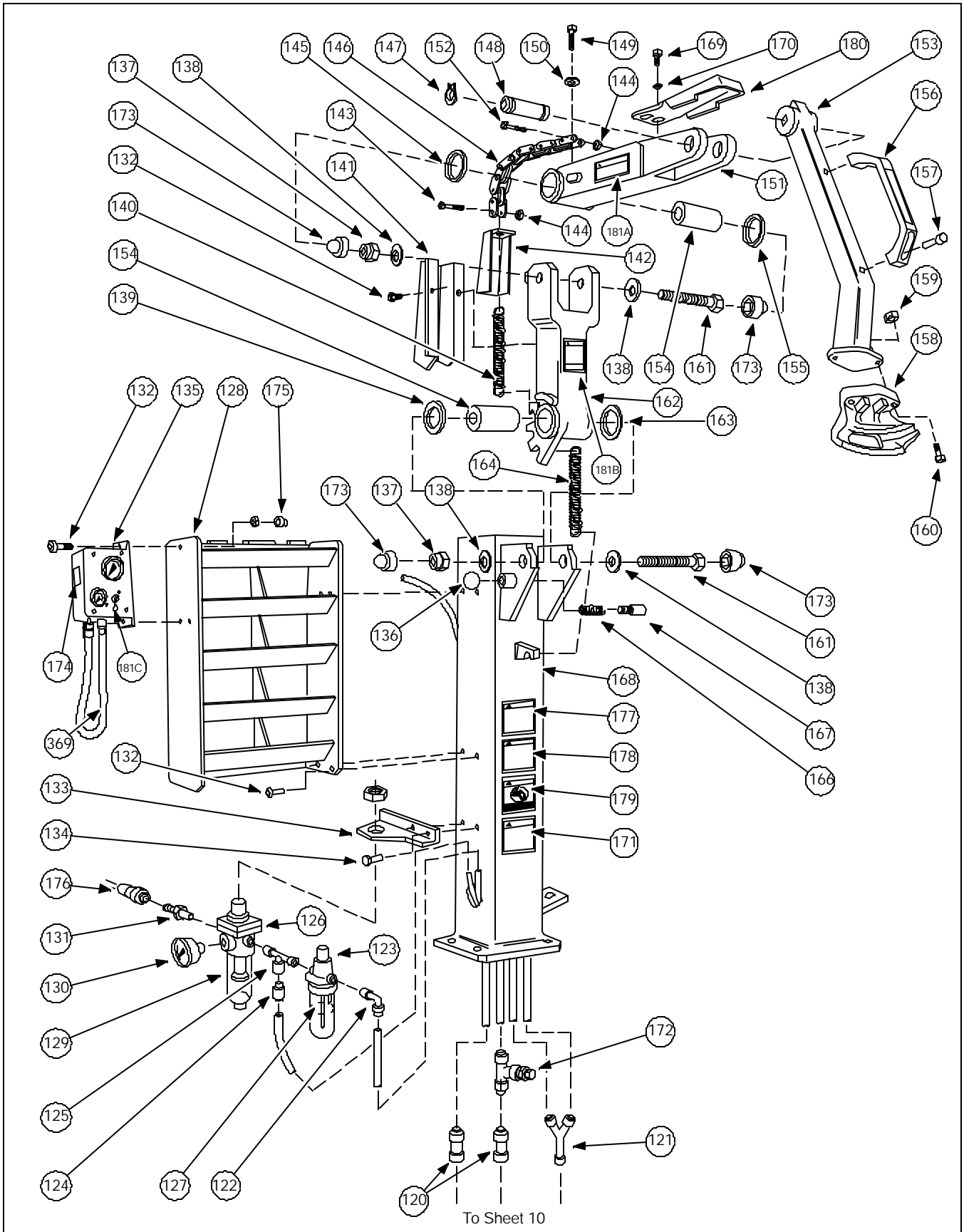
### TC350 TIRE CHANGER

REFER TO NEXT SHEET FOR PARTS DESCRIPTION LISTING

**PARTS DESCRIPTION LISTING**

| INDEX NO. | DESCRIPTION   |
|-----------|---|
| 79        | RP6-0974 . . . . BOLT M8x12 . . . . .   |
| 80        | RP6-1517 . . . . O-RING 4300 75, 8 x 3, 53 . . . . .                                      |
| 81        | RP6-2637 . . . . BOLT TE M10 x 30 . . . . .   |
| 82        | RP6-1515 . . . . CENTERING'S DEVICE ARM 1 . . . . .                                       |
| 83        | RP6-1514 . . . . CENTERING'S DEVICE ARM 2 . . . . .                                       |
| 84        | RP6-1513 . . . . CENTERING'S DEVICE ARM 3 . . . . .                                       |
| 85        | RP6-1512 . . . . CENTERING'S DEVICE ARM 4 . . . . .                                       |
| 86        | RP6-0066 . . . . RUBBER PAD . . . . .   |
| 86A       | RP6-2252 . . . . STEEL JAW COVER . . . . .  |
| 87        | RP6-0256 . . . . BOLT M8 x 16 . . . . .   |
| 88        | RP6-0310 . . . . NYLON JAW PROTECTOR SLEEVE EACH . . . . .                                |
| 89        | RP6-0028 . . . . BOLT TE M12 x 120 . . . . .  |
| 90        | RP6-0205 . . . . JOURNAL FOR ARM . . . . .  |
| 91        | RP6-1465 . . . . CUP SPRING PROTECTION . . . . .  |
| 92        | RP6-0611 . . . . SELF LOCKING NUT M12 . . . . .   |
| 93        | RP6-1477 . . . . COUPLING BOLT . . . . .  |
| 94        | RP6-1475 . . . . WASHER D. 82 . . . . .   |
| 95        | RP6-0051 . . . . THRUST WASHER 52 x 78 x 2 . . . . .                                      |
| 96        | RP6-0354 . . . . COMPLETE BRAKE ASSEMBLY KIT (Replace Previous Assembly Design) . . . . . |
| 97        | .. RP6-0204 . . . . CONNECTOR 8-1/8 . . . . .   |
| 98*       | .. RP6-2039 . . . . BRAKE CYLINDER . . . . .  |
| 99        | .. RP6-2042 . . . . GASKET NSW . . . . .  |
| 100       | .. RP6-2043 . . . . GUIDING RING . . . . .  |
| 101*      | .. RP6-3102 . . . . BRAKE DISC . . . . .  |
| 102       | .. RP6-0764 . . . . BOLT TCEI M6 x 45 . . . . .   |
| 103       | .. RP6-1966 . . . . GASKET NSW . . . . .  |
| 104       | RP6-2174 . . . . BRAKE PROTECTION CLIP . . . . .  |
| 105       | RP6-2107 . . . . BRAKE PROTECTION . . . . .   |
| 106       | RP6-0052 . . . . CHUCK . . . . .  |
| 107       | RP6-0050 . . . . LARGE SCREW . . . . .  |
| 108       | RP6-1998 . . . . CUP SPRING . . . . .   |
| 109       | RP6-0027 . . . . FIXATION RING . . . . .  |
| 110       | RP6-0239 . . . . CENTER DEVICE SHIELD . . . . .   |
| 111       | RP6-0428 . . . . CHUCK REINFORCEMENT . . . . .  |
| 112       | 20-1331-1 . . . . SET TOOTHED SEGMENTS . . . . .  |
| 116       | RP6-0273 . . . . RILSAN AIR LINE 6 x 4 L=700 . . . . .                                    |
| 117       | RP6-1309 . . . . GREASE FITTING . . . . .   |
| 118       | RP6-1812 . . . . SELF LOCKING NUT M10 . . . . .   |
| 119       | RP6-0347 . . . . BOLT M8 x 35 . . . . .   |
| 119A      | RP6-2638 . . . . WASHER FOR TOOTHED SEGMENT . . . . .                                     |
| +         | RP6-1448002 TC350 TO TC3500 EVO CLAMPING SYSTEM & MOTOR UPGRADE                           |
| *         | <b>NOTE:</b> NOT FIELD REPLACEABLE  |

nnn - Paint Code Required  
 A/R - As Required  
 REF - Referenced to a previous page



## TC350 TIRE CHANGER

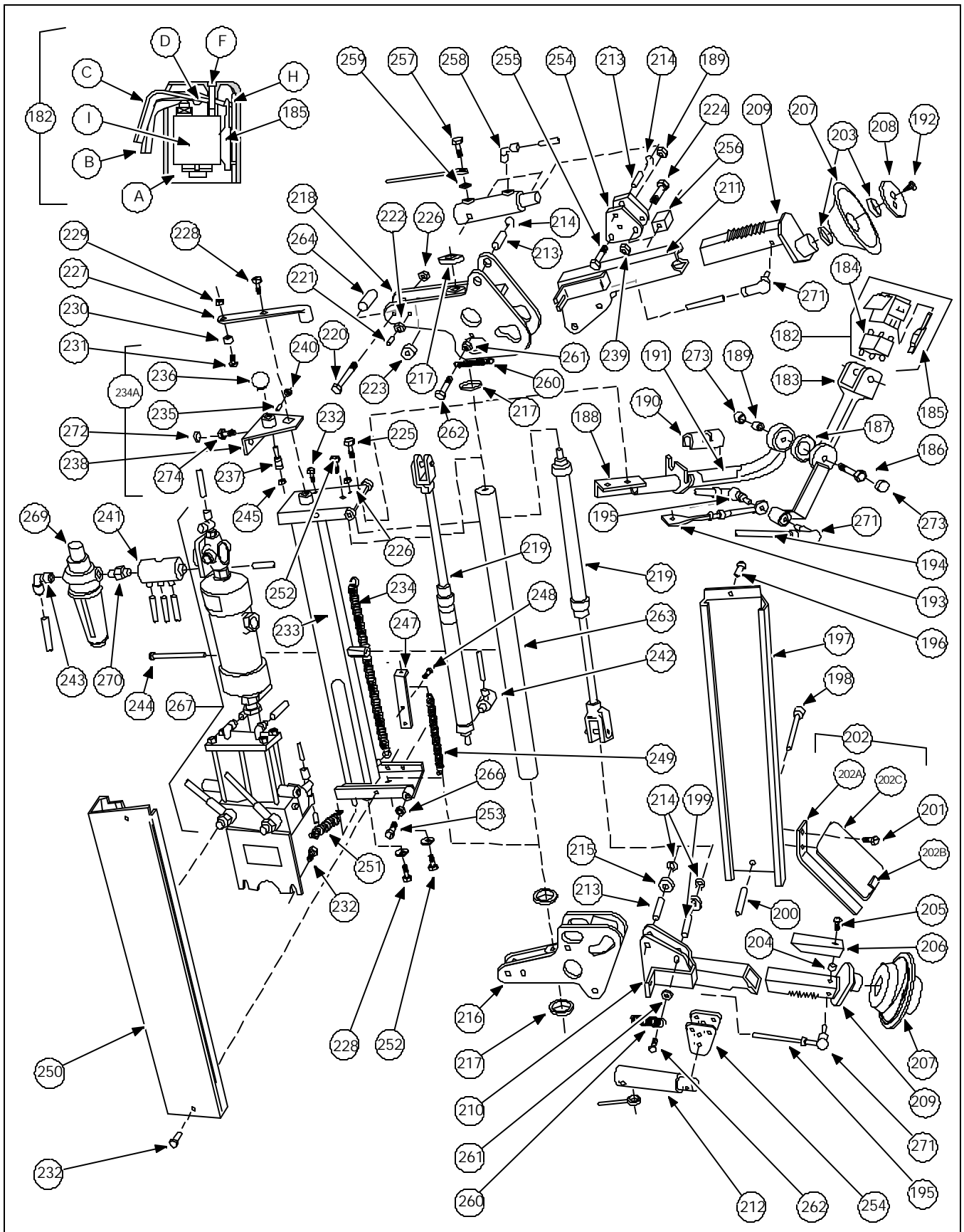
REFER TO NEXT SHEET FOR PARTS DESCRIPTION LISTING

**PARTS DESCRIPTION LISTING**

| INDEX NO. | DESCRIPTION   |
|-----------|---|
| 120       | RP6-0622 . . . . . JUNCTION D. 8 . . . . .  |
| 121       | RP6-0139 . . . . . 3-WAY CONNECTOR D. 8 . . . . .   |
| 122       | RP6-0142 . . . . . 90° FITTING . . . . .  |
| 123       | RP6-0999 . . . . . OILER ASSEMBLY . . . . .   |
| 124       | RP6-0201 . . . . . AIR LINE CONNECTOR 8-1/4 . . . . .   |
| 125       | RP6-1000 . . . . . T-CONNECTOR 1/4-1/4 . . . . .  |
| 126       | RP6-0140 . . . . . FILTERASSEMBLY . . . . .   |
| 127       | RP6-1487 . . . . . OILER VIAL . . . . .   |
| 128       | RP6-2192 . . . . . TOOL STORAGE . . . . .   |
| 129       | RP6-1486 . . . . . FILTER VIAL . . . . .  |
| 130       | RP6-0141 . . . . . GAUGE . . . . .  |
| 131       | RP6-1543 . . . . . CONNECTOR, MALE . . . . .  |
| 132       | RP6-0250 . . . . . BOLT M6 x 16 . . . . .   |
| 133       | RP6-1462 . . . . . GROUP SUPPORT BRACKET . . . . .  |
| 134       | RP6-0250 . . . . . BOLT M6 x 16 . . . . .   |
| 135       | RP6-1996 . . . . . AUTOMATIC INFLATOR WITH AIR INFLATOR HOSE . . . . .                                    |
| 136       | RP6-0832 . . . . . BALL HANDLE . . . . .  |
| 137       | RP6-2185 . . . . . SELF LOCKING NUT M14 . . . . .   |
| 138       | RP6-0251 . . . . . CUP SPRING D. 14.2 x 40 x 2 . . . . .  |
| 139       | RP6-0080 . . . . . SPACER RING . . . . .  |
| 140       | RP6-0162 . . . . . SPRING T22 x 3 x 120 . . . . .   |
| 141       | RP6-1498 . . . . . COVER PROTECTION FOR SPRING . . . . .  |
| 142       | RP6-1499 . . . . . TRAVEL LIMITER FOR SPRING . . . . .  |
| 143       | RP6-0963 . . . . . BOLT M5 x 20 . . . . .   |
| 144       | RP6-1281 . . . . . SELF LOCKING NUT M5 . . . . .  |
| 145       | RP6-0080 . . . . . SPACER RING . . . . .  |
| 146       | RP6-1130 . . . . . CHAIN FOR SPRING . . . . .   |
| 147       | RP6-0255 . . . . . CIRCLIP FOR SHAFT D. 25 . . . . .  |
| 148       | RP6-0079 . . . . . SHAFT D .25 . . . . .  |
| 149       | RP6-0347 . . . . . BOLT TE M8 x 35 . . . . .  |
| 150       | RP6-0249 . . . . . WASHER D 8.4 . . . . .   |
| 151       | RP6-1409 . . . . . HORIZONTAL ARM C . . . . .   |
| 152       | RP6-0963 . . . . . BOLT M5 x 20 . . . . .   |
| 153       | RP6-1370 . . . . . VERTICAL ARM C . . . . .   |
| 154       | RP6-0078 . . . . . SHAFT D .35 . . . . .  |
| 155       | RP6-0080 . . . . . WASHER SPACER . . . . .  |
| 156       | RP6-0095 . . . . . HANDLE . . . . .   |
| 157       | RP6-0256 . . . . . BOLT TCEI M8 x 16 . . . . .  |
| 158       | RP6-0343 . . . . . MOUNT/ DEMOUNT HEAD . . . . .  |
| 159       | RP6-2000 . . . . . SELF LOCKING NUT M8 . . . . .  |
| 160       | RP6-0796 . . . . . BOLT TE M8 x 40 . . . . .  |
| 161       | RP6-0253 . . . . . BOLT TE M14 x 140 1/2 THREAD . . . . .   |
| 162       | RP6-1154 . . . . . SUPPLEMENTARY ARM WITH POSITION HOLES . . . . .  |
| 163       | RP6-0080 . . . . . WASHER SPACER . . . . .  |
| 164       | RP6-0162 . . . . . SPRING T22 x 3 x 120 . . . . .   |
| 166       | RP6-1411 . . . . . SPRING . . . . .   |
| 167       | RP6-1341 . . . . . POSITIONING PIN . . . . .  |
| 168       | RP6-1361 . . . . . COLUMN . . . . .   |
| 169       | RP6-1420 . . . . . BOLT M6 x 6 . . . . .  |
| 170       | RP6-1163 . . . . . WASHER . . . . .   |
| 171       | 128-485-2 . . . . . DECAL, REVIEW TAPE BEFORE USING . . . . .   |
| 172       | RP6-1753 . . . . . PRESET SAFETY VALVE, SEALED . . . . .  |
| 173       | RP6-2177 . . . . . CAP PROTECTION . . . . .   |
| 174       | 128-437-2 . . . . . DECAL, ADJUSTABLE INFLATION REGULATOR . . . . .                                       |
| 175       | RP6-2175 . . . . . CAP PROTECTION . . . . .   |
| 176       | RP6-2152 . . . . . FEMALE QUICK DISCONNECT WITH HOSE SPLICE ADAPTOR . . . . .                             |
| or        | RP6-2435 . . . . . AIR SUPPLY HOSE WITH FEMALE QUICK DISCONNECT . . . . .                                 |
| 177       | 128-285-2 . . . . . DECAL, WARNING, DO NOT EXCEED THESE PRESSURE LIMITATIONS . . . . .                    |
| 178       | 128-284-2 . . . . . DECAL, WARNING, READ AND UNDERSTAND THE INSTRUCTION MANUAL BEFORE OPERATING . . . . . |
| 179       | 128-287-2 . . . . . DECAL, WARNING, DO NOT LEAN OR REACH OVER TIRE WHEN INFLATING . . . . .               |
| 180       | RP6-2181 . . . . . BRACKET . . . . .  |
| 181A      | 128-435-2 . . . . . DECAL, ATTENTION, REMOVE CLIP-ON WEIGHTS BEFORE USE TO PREVENT DAMAGE . . . . .       |
| 181B      | 128-489-2 . . . . . DECAL, MOUNTING ARM INCLINATION . . . . .   |
| 181C      | 128-501-2 . . . . . DECAL, MANUAL BLEED VALVE . . . . .   |
| 369       | 137-86-2 . . . . . 5' HOSE WITH TERMINAL END CONNECTOR & 1/4 NPT . . . . .                                |
|           | 179-15-2 . . . . . SAFETY GOGGLES (Not Illustrated) . . . . .   |

nnn - Paint Code Required  
 A/R - As Required  
 REF - Referenced to a previous page





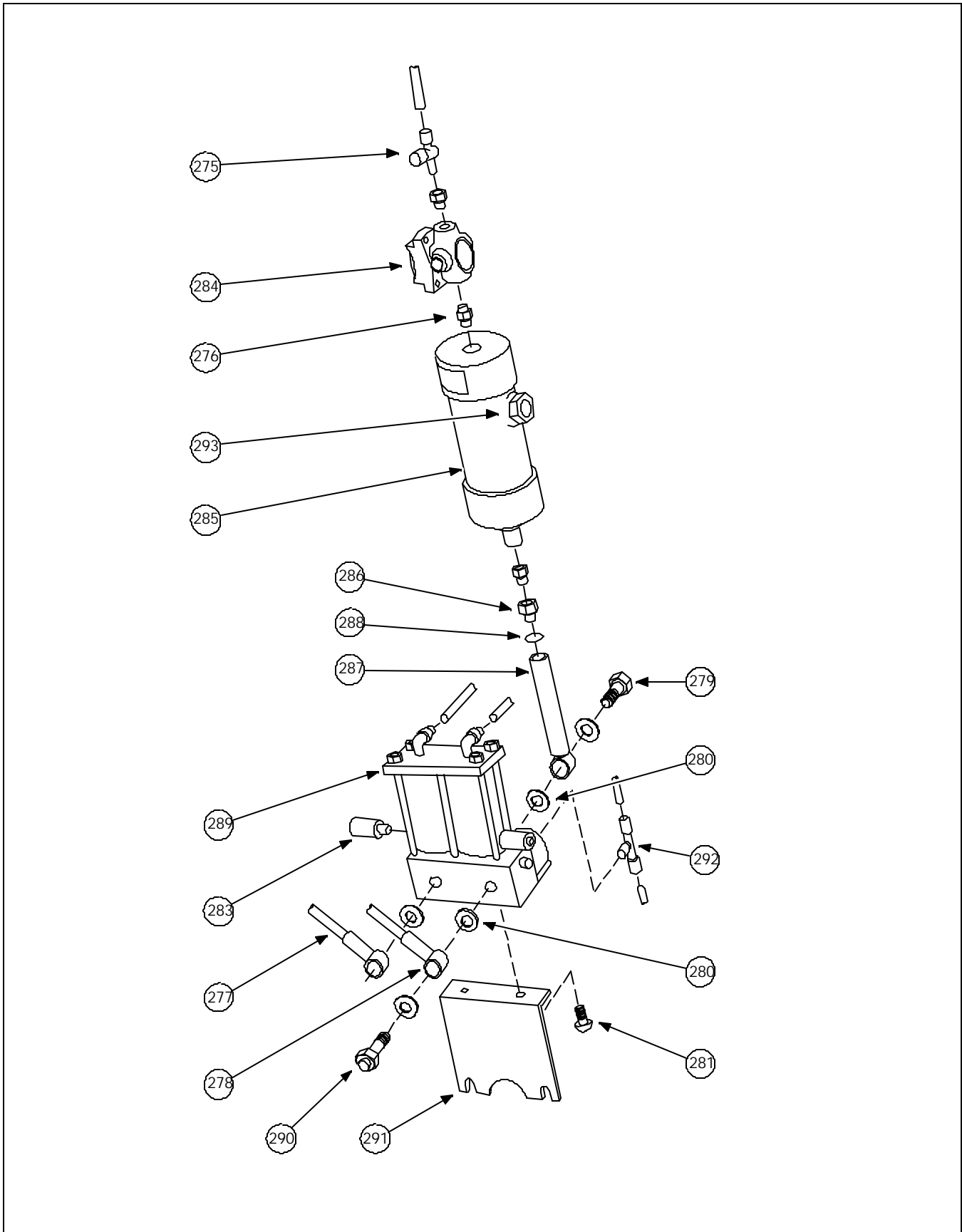
**TC350 TIRE CHANGER**

REFER TO NEXT SHEET FOR PARTS DESCRIPTION LISTING

PARTS DESCRIPTION LISTING

| INDEX NO. | DESCRIPTION                                 | INDEX NO. | DESCRIPTION                                      |
|-----------|---|-----------|--|
| 182       | RP6-2420 . BEAD ROLLER ASSEMBLY COMPLETE    | 234       | RP6-0853 . SPRING                                |
| A         | RP6-1391 . COMMAND BOX                      | 234A      | RP6-2344 . BALL KNOB LOCKING ASSEMBLY            |
| B         | RP6-0174 . BOX                              | 235       | RP6-1395 . POSITIONING BOLT M8                   |
| C         | RP6-0175 . BUTTON RIGHT                     | 236       | RP6-0832 . BALL HANDLE                           |
| D         | RP6-0176 . BUTTON LEFT                      | 237       | RP6-1342 . LOCK SHAFT                            |
| E         | RP6-0190 . SHAFT FOR BUTTONS                | 238       | RP6-1333 . UPPER SUPPORT                         |
| F         | RP6-0191 . SPRING D .07 x 6 x 25            | 239       | RP6-0500 . SELF LOCKING NUT M12                  |
| G         | RP6-0794 . BOLT TC 2.9 x 9.5 UNI6954-D      | 240       | RP6-0257 . NUT M8                                |
| H         | RP6-0258 . THREADED SCREW TCEI 3 x 22       | 241       | RP6-1674 . MANIFOLD                              |
| I         | RP6-1407 . FLAT SPRING                      | 242       | RP6-2295 . SWIVEL CONNECTOR                      |
| 183       | RP6-1539 . COMMANDING VALVE                 | 243       | RP6-1091 . CONNECTOR ELBOW 8-1/8                 |
| 184       | RP6-0946 . COMMAND HANDLE                   | 244       | RP6-1031 . BOLT TE M8 x 110                      |
| 184       | RP6-1539 . COMMANDING VALVE                 | 245       | RP6-1260 . SEEGER RING D .14                     |
| 185       | RP6-4172 . FINGER SPRING                    | 246       | 128-487-2 . DECAL, CAUTION (Not Illustrated)     |
| 186       | RP6-1554 . BOLT M6 x 55                     | 247       | RP6-1375 . SPRING SUPPORT                        |
| 187       | RP6-1101 . SPACER RING                      | 248       | RP6-0628 . BOLT TE M6 x 12                       |
| 188       | RP6-0947 . COMMAND HANDLE SUPPORT           | 249       | RP6-0691 . SPRING 5 x 28 x 130                   |
| 189       | RP6-0292 . SELF LOCKING NUT M6              | 250       | RP6-1346 . INTERNAL BEAD BREAKER COVER           |
| 190       | RP6-1724 . DIAMETER INDICATOR               | 251       | RP6-1357 . SPRING                                |
| 191       | RP6-1399 . DECAL WITH DIAMETER              | 252       | RP6-2255 . M12 x 25 BOLT                         |
| 192       | RP6-0782 . BOLT TSPEI M6 x 16               | 253       | RP6-0416 . BOLT                                  |
| 193       | RP6-1545 . LINKAGE, DIAMETER INDICATOR      | 254       | RP6-0851 . LEVER                                 |
| 194       | RP6-0919 . CABLE, L=1475                    | 255       | RP6-1385 . BOLT TE M6 x 75 1/2 THREAD            |
| 195       | RP6-0918 . CABLE, L=1775                    | 256       | RP6-0932 . TOOTHED BLOCK                         |
| 196       | RP6-0287 . BOLT TCEI M8 x 16                | 257       | RP6-1376 . BANJO BOLT                            |
| 197       | RP6-1343 . OUTER BEAD ROLLER COVER          | 258       | 145-282-2 . FITTING 90°                          |
| 198       | RP6-1031 . BOLT TE M8 x 110                 | 259       | RP6-1071 . GASKET WASHER 1/4                     |
| 199       | RP6-1415 . SHAFT FOR SPRING                 | 260       | RP6-1778 . SPRING 2.2 x 13.2 x 43                |
| 200       | RP6-1327 . SPACER FOR COVER                 | 261       | RP6-0281 . LOW NUT M6                            |
| 201       | RP6-0794 . SELF TAPPING SCREW               | 262       | RP6-0250 . BOLT TCEI M6 x 16                     |
| 202       | RP6-1382 . MIRROR ASSEMBLY (Consisting Of:) | 263       | RP6-1354 . VERTICAL GUIDE SHAFT                  |
| 202A      | RP6-3185 . BRACKET                          | 264       | RP6-1325 . SPACER FOR SUPPORT                    |
| 202B      | RP6-3186 . CLIPS (4 Required)               | 266       | RP6-0259 . NUT M10                               |
| 202C      | RP6-1416 . MIRROR                           | 267       | RP6-1050 . HYDRAULIC PUMP (See Sheet 9)          |
| 203       | RP6-1386 . GASKET V RING 38.5               | 269       | RP6-0999 . LUBRICATOR ASSEMBLY                   |
| 204       | RP6-1378 . SPACER                           | 270       | RP6-1748 . CONNECTOR MM 1/8-1/4                  |
| 205       | RP6-1420 . BOLT TBEI M6 x 16                | 271       | RP6-1733 . BALL JOINT FOR CABLE                  |
| 206       | RP6-1377 . LOWER ARM PROTECTION COVER       | 272       | RP6-2176 . CAP PROTECTION                        |
| 207       | RP6-1310 . BEAD ROLLER                      | 273       | RP6-2175 . CAP PROTECTION                        |
| 208       | RP6-1340 . WASHER FOR ROLLER                | 273A      | 128-488-2 . DECAL, INSTRUCTION (Not Illustrated) |
| 209       | RP6-0927 . MOBILE ARM                       | 274       | RP6-1811 . BOLT TE M10 X 35                      |
| 210       | RP6-0931 . LOWER ARM                        |           |  |
| 211       | RP6-0930 . UPPER ARM                        |           |  |
| 212       | RP6-0837 . CYLINDER ASSEMBLY                |           |  |
| 213       | RP6-1339 . PISTON SHAFT                     |           |  |
| 214       | RP6-1387 . CIRCLIP FOR SHAFT                |           |  |
| 215       | RP6-1338 . ROLLER                           |           |  |
| 216       | RP6-0928 . LOWER ARM'S SUPPORT              |           |  |
| 217       | RP6-1380 . OIL WIPER                        |           |  |
| 218       | RP6-0929 . UPPER ARM SUPPORT                |           |  |
| 219       | RP6-2044 . POSITIONING CYLINDER             |           |  |
| 220       | RP6-1389 . BOLT TE M8 x 90° 1/2 THREAD      |           |  |
| 221       | RP6-1553 . BOLT STEI 10 x 25 P.P.           |           |  |
| 222       | RP6-0259 . NUT M10                          |           |  |
| 223       | RP6-1294 . SLIDING/ GUIDING WASHER          |           |  |
| 224       | RP6-1384 . BOLT TE M12 x 80 1/2             |           |  |
| 225       | RP6-1556 . BOLT TE M8 x 16                  |           |  |
| 226       | RP6-2000 . SELF LOCKING NUT M8              |           |  |
| 227       | RP6-1166 . LEVER FOR TRAVEL LIMITER         |           |  |
| 228       | RP6-2637 . BOLT TE M10 x 30                 |           |  |
| 229       | RP6-1702 . M10 x 1.5 ACORN NUT              |           |  |
| 230       | RP6-1337 . RUBBER PROTECTOR                 |           |  |
| 231       | RP6-0416 . BOLT TE M10 x 35                 |           |  |
| 232       | RP6-0974 . BOLT TE M8 x 12                  |           |  |
| 233       | RP6-0926 . BEAD ROLLER ASSEMBLY STRUCTURE   |           |  |

nnn - Paint Code Required  
A/R - As Required  
REF - Referenced to a previous page



### TC350 TIRE CHANGER

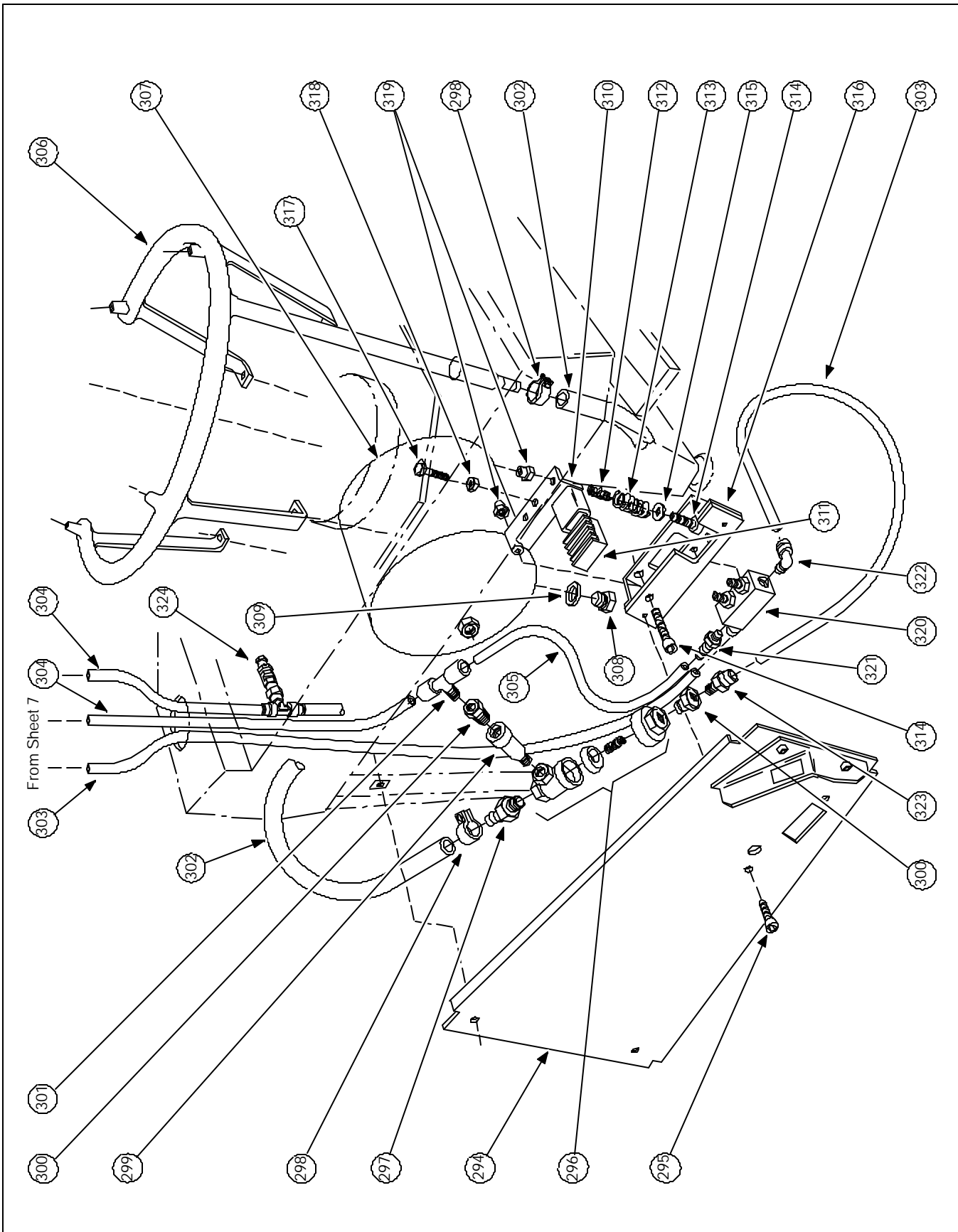
REFER TO NEXT SHEET FOR PARTS DESCRIPTION LISTING



**PARTS DESCRIPTION LISTING**

| INDEX NO. | DESCRIPTION  |
|-----------|--|
| 275       | RP6-1769 . . . . L CONNECTOR 4-1/8 . . . . .         |
| 276       | RP6-1748 . . . . FITTING MM 1/8-1/4 . . . . .        |
| 277       | RP6-1049 . . . . HIGH PRESSURE HOSE L=850 . . . . .  |
| 278       | RP6-1048 . . . . HIGH PRESSURE HOSE L=1070 . . . . . |
| 279       | RP6-1376 . . . . BANJO BOLT . . . . .                |
| 280       | RP6-1071 . . . . BRASS GASKET WASHER . . . . .       |
| 281       | RP6-1672 . . . . BOLT TCEI M6 x 10 . . . . .         |
| 282       | . . . . .  |
| 283       | RP6-0403 . . . . MUFFLER . . . . .                   |
| 284       | RP6-1764 . . . . MICRO PRESET REGULATOR . . . . .    |
| 285       | RP6-2045 . . . . TANK . . . . .                      |
| 286       | RP6-1763 . . . . NIPPLE MF 1/4 . . . . .             |
| 287       | RP6-1730 . . . . CONNECTOR TUBE . . . . .            |
| 288       | RP6-0843 . . . . O-RING 2043 . . . . .               |
| 289       | RP6-2286 . . . . HYDRAULIC PUMP . . . . .            |
| 290       | RP6-1073 . . . . BANJO BOLT . . . . .                |
| 291       | RP6-1727 . . . . BRACKET SUPPORT . . . . .           |
| 292       | RP6-1061 . . . . T-CONNECTOR FITTING 4-M5 . . . . .  |
| 293       | RP6-1762 . . . . SITE GLASS . . . . .                |

nnn - Paint Code Required  
 A/R - As Required  
 REF - Referenced to a previous page



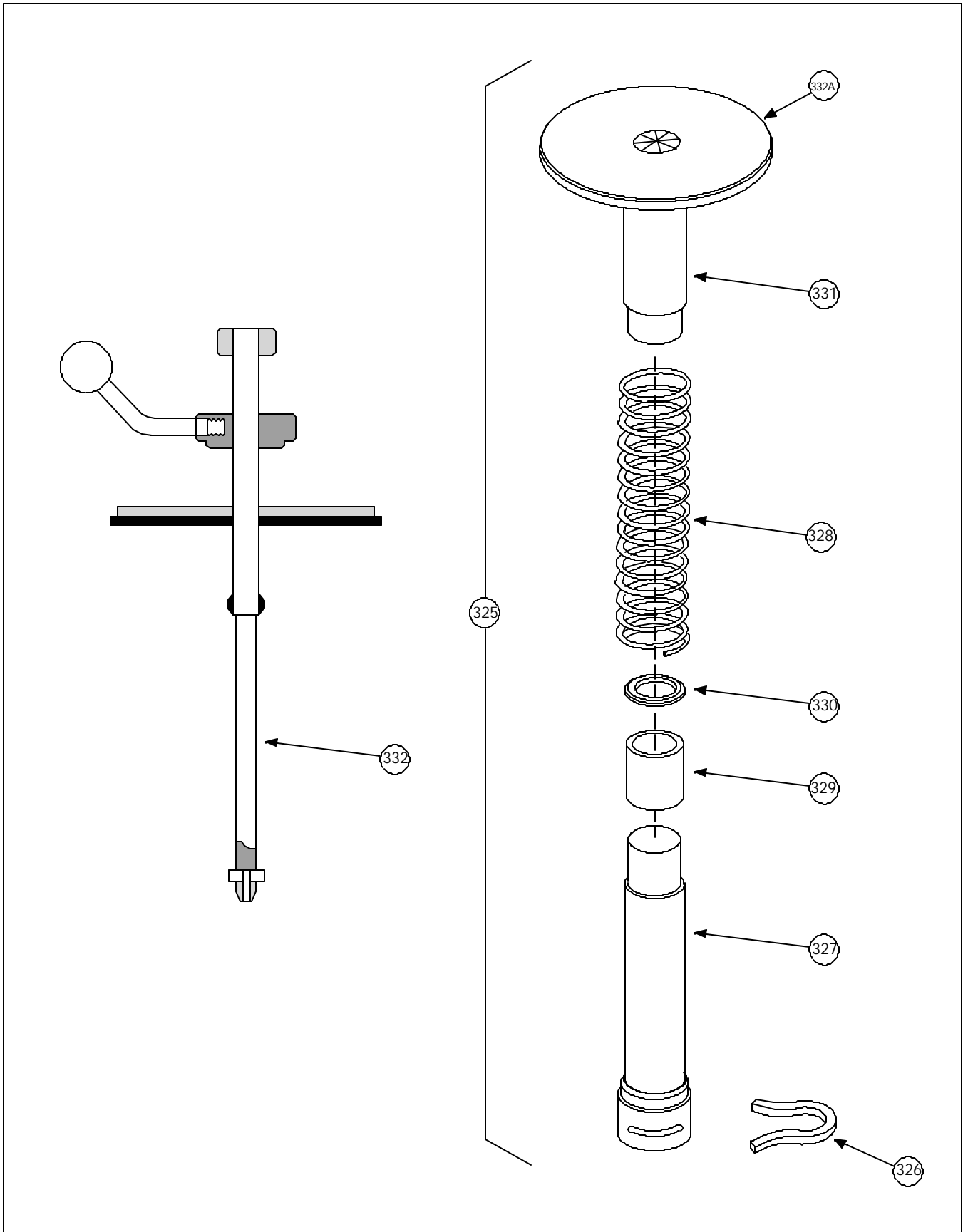
**TC350 TIRE CHANGER**

REFER TO NEXT SHEET FOR PARTS DESCRIPTION LISTING

PARTS DESCRIPTION LISTING

| INDEX NO. | DESCRIPTION   |
|-----------|---|
| 294       | RP6-0441 . . . . LEFT SIDE COVER . . . . .                        |
| 295       | RP6-0250 . . . . BOLT TCEI M6 x 16 . . . . .                      |
| 296       | RP6-0481 . . . . INFLATION VALVE VSC . . . . .                    |
| 297       | RP6-0482 . . . . AIR LINE CONNECTOR 18-1/2 . . . . .              |
| 298       | RP6-0475 . . . . HOSE SPANNER CLAMP . . . . .                     |
| 299       | RP6-0476 . . . . T CONNECTOR 1/2-1/2 . . . . .                    |
| 300       | RP6-0477 . . . . REDUCER 1/2-1/4 . . . . .                        |
| 301       | RP6-0202 . . . . T CONNECTOR 8-1/4 . . . . .                      |
| 302       | RP6-0618 . . . . REINFORCED PVC AIR LINE . . . . .                |
| 303       | RP6-0623 . . . . RILSAN AIR LINE D. 8 x 6 L=400 BLACK . . . . .   |
| 304       | RP6-1569 . . . . RILSAN AIR LINE D. 8 x 6 L=700 BLACK . . . . .   |
| 305       | RP6-0480 . . . . RILSAN AIR LINE D. 8 x 6 L=390 BLUE . . . . .    |
| 306       | RP6-1576 . . . . INFLATION RING COMPLETE . . . . .                |
| 307       | RP6-0434 . . . . AIR TANK . . . . .                               |
| 308       | RP6-0478 . . . . TAP 1/2 . . . . .                                |
| 309       | RP6-0479 . . . . ALUMINUM WASHER 1/2 . . . . .                    |
| 310       | RP6-0564 . . . . INFLATION PEDAL . . . . .                        |
| 311       | RP6-0173 . . . . PEDALS PROTECTION . . . . .                      |
| 312       | RP6-0488 . . . . SPRING C1/8 x 14.5 x 37 . . . . .                |
| 313       | RP6-0553 . . . . SPRING C2 x 27 x 60 . . . . .                    |
| 314       | RP6-0471 . . . . BOLT TCEI M8 x 60 . . . . .                      |
| 315       | RP6-0249 . . . . WASHER D. 8 . . . . .                            |
| 316       | RP6-0569 . . . . PEDAL BRACKET COMPLETE . . . . .                 |
| 317       | RP6-0269 . . . . BOLT TE M6 x 20 . . . . .                        |
| 318       | RP6-0281 . . . . LOW NUT M6 . . . . .                             |
| 319       | RP6-2000 . . . . SELF LOCKING NUT M8 . . . . .                    |
| 320       | RP6-0632 . . . . TWO STAGE VALVE ASSEMBLY WITH FITTINGS . . . . . |
| 321       | . . . RP6-0201 . . . . CONNECTOR 8-1/4 . . . . .                  |
| 322       | . . . RP6-0142 . . . . 90° FITTING . . . . .                      |
| 323       | RP6-0201 . . . . CONNECTOR 8-1/4 . . . . .                        |
| 324       | RP6-1753 . . . . PRESET SAFETY VALVE, SEALED . . . . .            |

nnn - Paint Code Required  
 A/R - As Required  
 REF - Referenced to a previous page



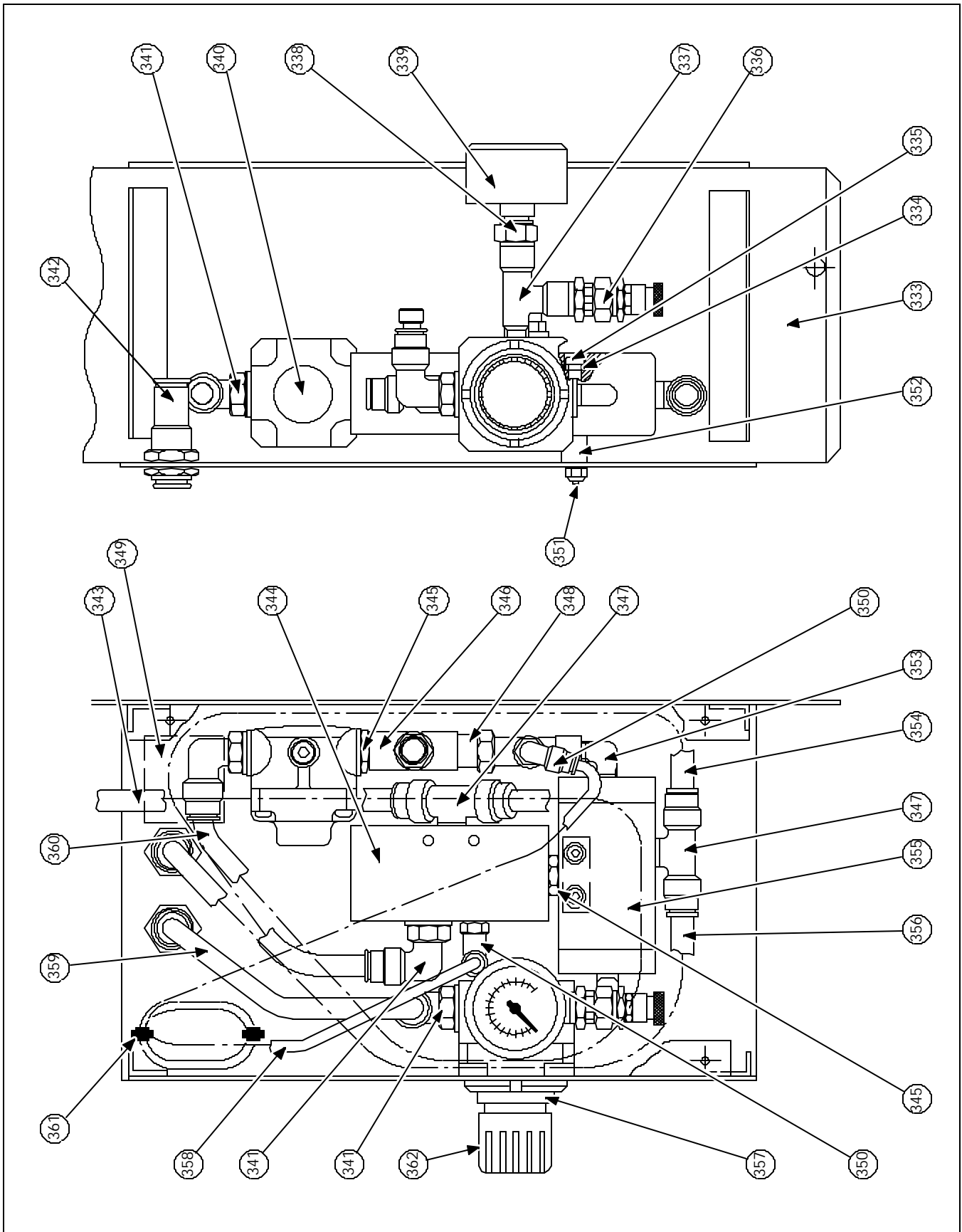
### TC350 TIRE CHANGER

REFER TO NEXT SHEET FOR PARTS DESCRIPTION LISTING

**PARTS DESCRIPTION LISTING**

| INDEX NO. | DESCRIPTION   |
|-----------|---|
| 325       | RP6-2265 . . . . CENTERING SUPPORT ASSEMBLY . . . . .         |
| 326       | .. RP6-2263 . . . . U-SPRING . . . . .                        |
| 327       | .. RP6-2097 . . . . GUIDE SHAFT (U-SPRING INCLUDED) . . . . . |
| 328       | .. RP6-0575 . . . . SPRING 44 x 4 x 330 . . . . .             |
| 329       | .. RP6-2101 . . . . BRASS BUSHING . . . . .                   |
| 330       | .. RP6-2102 . . . . CLIP . . . . .                            |
| 331       | .. RP6-2100 . . . . RUBBER COATED WHEEL SUPPORT . . . . .     |
| 332       | RP6-1485 . . . . WHEEL SECURING DEVICE . . . . .              |
| 332A      | RP6-2103 . . . . RUBBER SUPPORT . . . . .                     |

nnn - Paint Code Required  
 A/R - As Required  
 REF - Referenced to a previous page



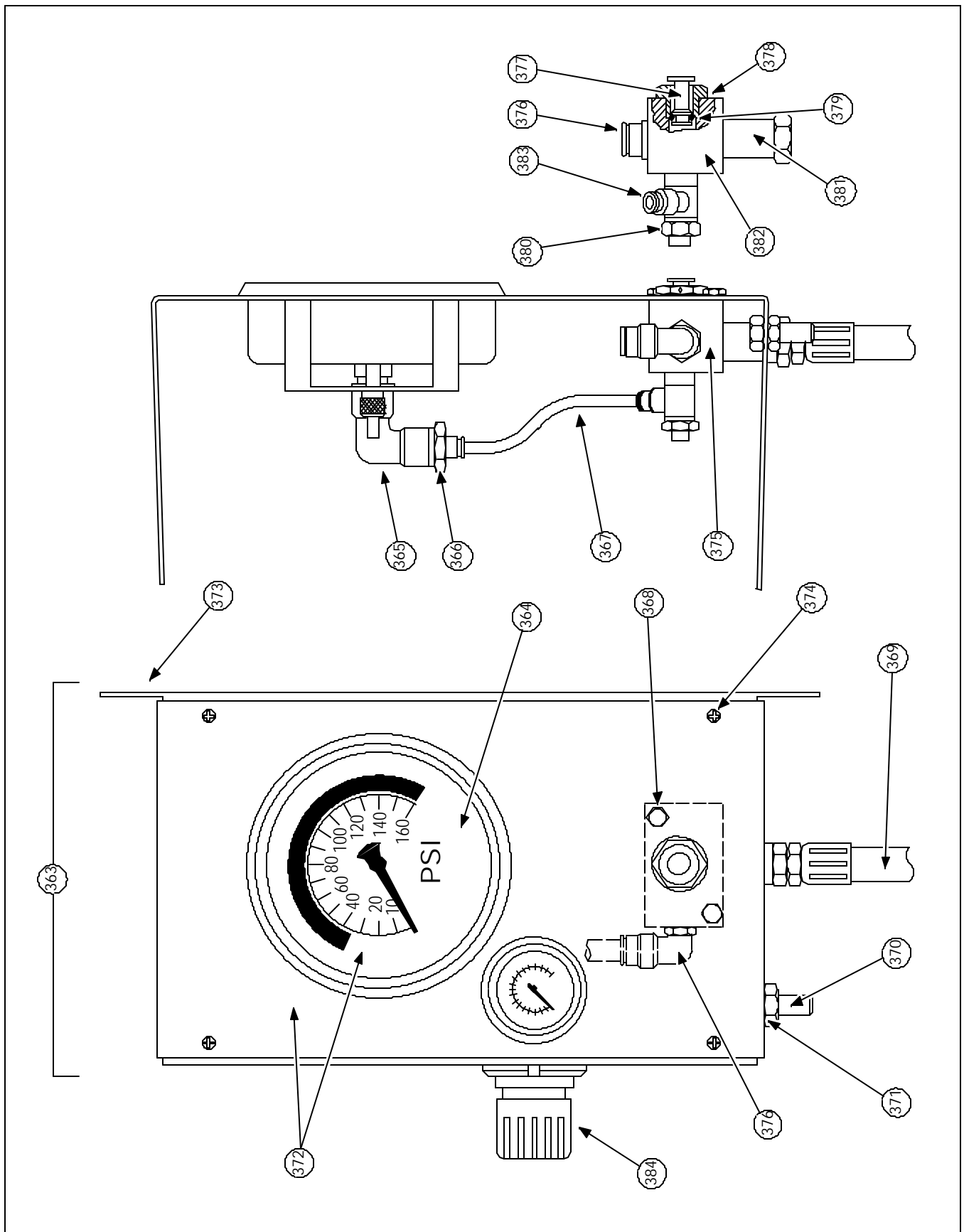
**TC350 TIRE CHANGER**

REFER TO NEXT SHEET FOR PARTS DESCRIPTION LISTING

**PARTS DESCRIPTION LISTING**

| INDEX NO. | DESCRIPTION   |
|-----------|---|
| 333       | RP6-1996 . . . . INFLATOR BOX COMPLETE (WITH HOSE) . . . . .          |
| 334*      | .. RP6-1196 . . . . ELASTIC WASHER D. 4.2 . . . . .                   |
| 335*      | .. RP6-0821 . . . . BOLT TCEI M4 x 45 . . . . .                       |
| 336       | .. RP6-2022 . . . . SECURITY VALVE 45 PSI 1/8 . . . . .               |
| 337*      | .. RP6-2006 . . . . CONNECTOR 2070 . . . . .                          |
| 338*      | .. RP6-2007 . . . . CONNECTOR 2521 . . . . .                          |
| 339       | .. RP6-0141 . . . . GAUGE D. 40 . . . . .                             |
| 340*      | .. RP6-2019 . . . . LOCKED PRESSURE REGULATOR 5.5 BAR . . . . .       |
| 341*      | .. RP6-2001 . . . . CONNECTOR 6521 . . . . .                          |
| 342       | .. RP6-0145 . . . . PASS-THROUGH CONNECTOR 6590 . . . . .             |
| 343       | .. RP6-2028 . . . . RILSAN AIR LINE D. 8 x 6 L=370 BLUE . . . . .     |
| 344       | .. RP6-2017 . . . . VALVE 438-35 . . . . .                            |
| 345*      | .. RP6-0423 . . . . CONNECTOR 1/8-1/8 . . . . .                       |
| 346*      | .. RP6-2020 . . . . VALVE RFO 382 . . . . .                           |
| 347*      | .. RP6-2599 . . . . CONNECTOR 8-1/8 . . . . .                         |
| 348*      | .. RP6-0424 . . . . CONNECTOR 1/8-1/8 . . . . .                       |
| 349       | .. RP6-1591 . . . . DECAL-INDICATION RED AIR LINE . . . . .           |
| 350*      | .. RP6-2002 . . . . CONNECTOR 4-1/8 90° . . . . .                     |
| 351       | .. RP6-0822 . . . . SELF LOCKING NUT M4 . . . . .                     |
| 352*      | .. RP6-2015 . . . . SPACER . . . . .                                  |
| 353*      | .. RP6-2005 . . . . CONNECTOR 1/8-1/8 90° . . . . .                   |
| 354       | .. RP6-2025 . . . . RILSAN AIR LINE D. 8 x 6 L=400 RED . . . . .      |
| 355*      | .. RP6-2016 . . . . VALVE 438-33 . . . . .                            |
| 356*      | .. RP6-2026 . . . . RILSAN AIR LINE D. 8 x 6 L=370 RED . . . . .      |
| 357*      | .. RP6-2018 . . . . EXIT PRESSURE REGULATOR 4.2 BAR . . . . .         |
| 358       | .. RP6-2024 . . . . RILSAN AIR LINE D. 4 x 2.7 L=2600 BLACK . . . . . |
| 359       | .. RP6-2029 . . . . RILSAN AIR LINE D. 8 x 6 L=230 BLUE . . . . .     |
| 360       | .. RP6-2027 . . . . RILSAN AIR LINE D. 8 x 6 L=450 RED . . . . .      |
| 361       | .. RP6-0178 . . . . HOSE SPANNER . . . . .                            |
| 362       | RP6-2148 . . . . KNOB . . . . .                                       |

nnn - Paint Code Required  
 A/R - As Required  
 REF - Referenced to a previous page



**TC350 TIRE CHANGER**

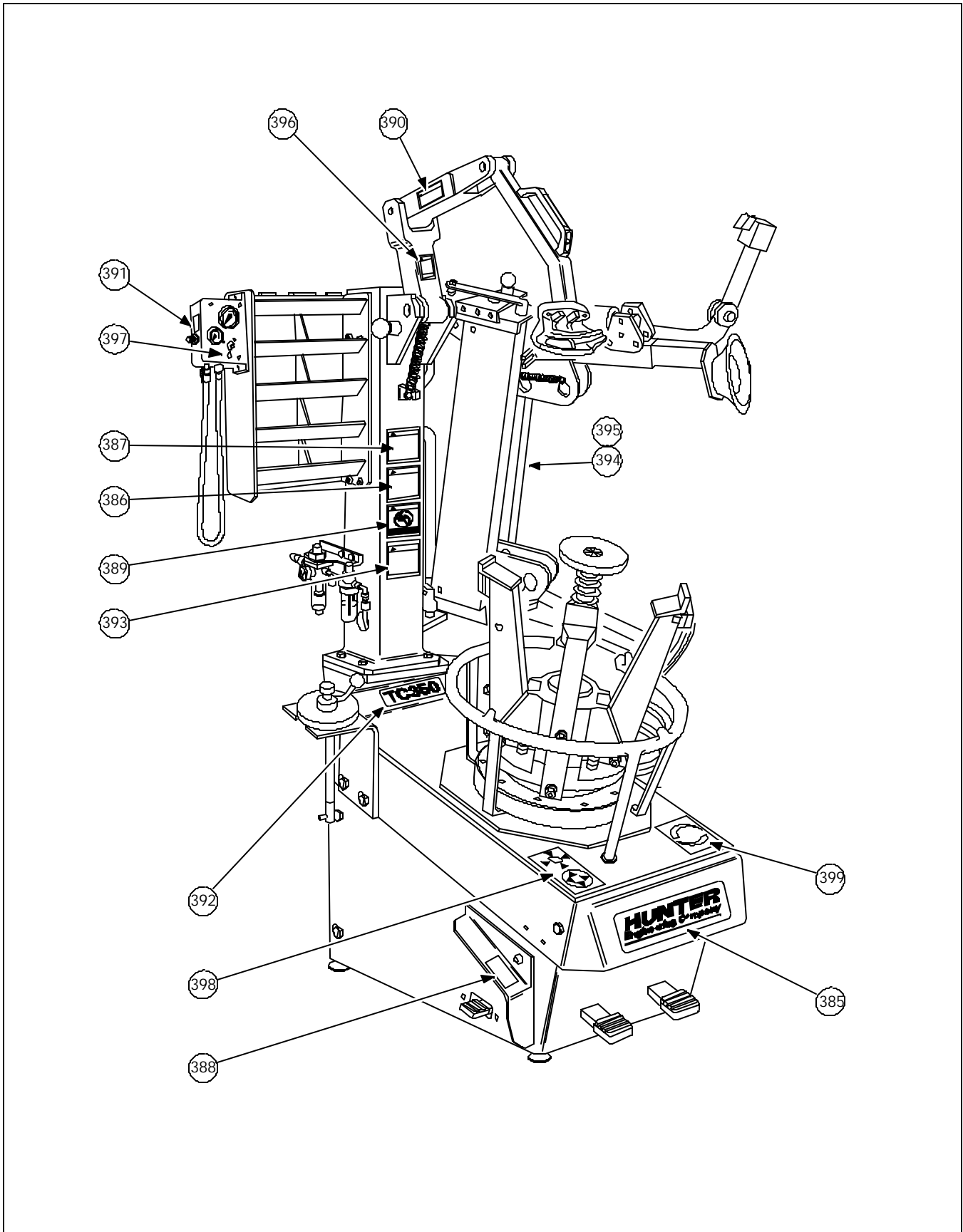
REFER TO NEXT SHEET FOR PARTS DESCRIPTION LISTING



**PARTS DESCRIPTION LISTING**

| INDEX NO. | DESCRIPTION  |
|-----------|--|
| 363*      | RP6-2013 . . . . FRONT PANEL INFLATION BOX (Front Panel Only) . . . . .            |
| 364       | RP6-1128 . . . . GAUGE D. 100 . . . . .  |
| 365*      | RP6-2009 . . . . CONNECTOR 90° 1/4 . . . . .                                       |
| 366*      | RP6-2004 . . . . CONNECTOR 6510 4-1/4 . . . . .                                    |
| 367*      | RP6-2030 . . . . RILSAN AIR LINE D. 4 x 2.7 L=150 . . . . .                        |
| 368*      | RP6-0490 . . . . BOLT TE M4 x 12 . . . . .   |
| 369       | 137-86-2 . . . . 5' INFLATION HOSE WITH TERMINAL END CONNECTOR & 1/4 NPT . . . . . |
| 370       | RP6-0248 . . . . BOLT TE M8 x 20 . . . . .   |
| 371*      | RP6-2023 . . . . LOW NUT M8 . . . . .  |
| 373*      | RP6-2032 . . . . INFLATOR BASE C . . . . .   |
| 374       | RP6-0794 . . . . BOLT 2.9 x 9.5 . . . . .  |
| 375       | RP6-2008 . . . . DISTRIBUTOR ASSEMBLY . . . . .                                    |
| 376*      | .. RP6-1708 . . . . CONNECTOR 8-1/4 TURNABLE . . . . .                             |
| 377       | .. RP6-0558 . . . . AIR RELEASE BUTTON . . . . .                                   |
| 378*      | .. RP6-0559 . . . . TAP FPR AIR RELEASE . . . . .                                  |
| 379?*     | .. RP6-0499 . . . . GASKET OR 107 . . . . .  |
| 380*      | .. RP6-1390 . . . . UNIDIRECTIONAL DOSATOR . . . . .                               |
| 381       | .. RP6-0137 . . . . EXTENTION 1/4-1/4 . . . . .                                    |
| 382*      | .. RP6-2010 . . . . 4-WAY DISTRIBUTOR . . . . .                                    |
| 383*      | .. RP6-1675 . . . . CONNECTOR 6610 4-1/8 . . . . .                                 |
| 384       | .. RP6-2148 . . . . KNOB . . . . .   |

nnn - Paint Code Required  
 A/R - As Required  
 REF - Referenced to a previous page



## TC350 TIRE CHANGER

REFER TO NEXT SHEET FOR PARTS DESCRIPTION LISTING

**PARTS DESCRIPTION LISTING**

| INDEX NO. | DESCRIPTION   |
|-----------|---|
| 385       | 128-279-2 . . . . DECAL, HUNTER ENGINEERING COMPANY . . . . .   |
| 386       | 128-284-2 . . . . DECAL, WARNING, READ AND UNDERSTAND THE INSTRUCTION MANUAL BEFORE OPERATING . . . . . |
| 387       | 128-285-2 . . . . DECAL, WARNING, DO NOT EXCEED THESE PRESSURE LIMITATIONS . . . . .                    |
| 388       | 128-286-2 . . . . DECAL, WARNING, ACTIVATE AIR INFLATION RING ONLY WHEN SEATING BEAD . . . . .          |
| 389       | 128-287-2 . . . . DECAL, WARNING, DO NOT LEAN OR REACH OVER TIRE WHEN INFLATING . . . . .               |
| 390       | 128-435-2 . . . . DECAL, ATTENTION, REMOVE CLIP-ON WEIGHTS BEFORE USE TO PREVENT DAMAGE . . . . .       |
| 391       | 128-437-2 . . . . DECAL, ADJUSTABLE INFLATION REGULATOR . . . . .                                       |
| 392       | 128-477-2 . . . . DECAL, TC350 . . . . .  |
| 393       | 128-485-2 . . . . DECAL, REVIEW TAPE BEFORE USING . . . . .   |
| 394       | 128-487-2 . . . . DECAL, CAUTION DO NOT LOCK PIN . . . . .  |
| 395       | 128-488-2 . . . . DECAL, ROLLER PIN LOCK INSTRUCTION . . . . .  |
| 396       | 128-489-2 . . . . DECAL, MOUNTING ARM INCLINATION . . . . .   |
| 397       | 128-501-2 . . . . DECAL, MANUAL BLEED VALVE . . . . .   |
| 398       | 128-502-2 . . . . DECAL, CLAMPING DIRECTIONS . . . . .  |
| 399       | 128-503-2 . . . . DECAL, ROTATION DIRECTIONS . . . . .  |

nnn - Paint Code Required  
 A/R - As Required  
 REF - Referenced to a previous page

